

Sensor for measuring Free Chlorine

Zirkon® DIS are potentiostatic sensors, measuring parameter and range are defined by the connected instrument.



Applications



Disinfection



Drinking Water

Benefits

- Low maintenance and robust
- Stable zero point
- Reliable measuring values
- Long operating life due to automatic sensor cleaning by ASR®

Technical data

Measuring Range

0.. 1000 µg/l
0.. 5.00/10.00 mg/l
0.. 20.00 mg/l

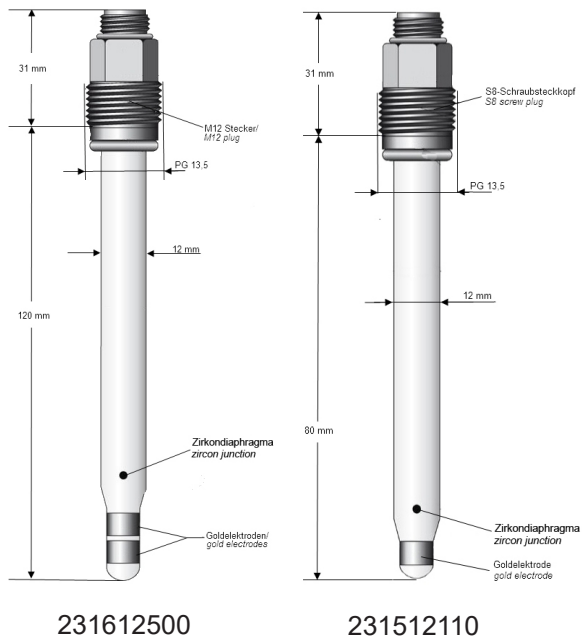
Process Conditions

Max. pressure 10 bar at 20°C (145 psi at 68 °F)
Min. conductivity > 150 µS/cm , with ASR > 200 µS/cm
Temperature -5.. +70 °C (23.. 158 °F)

Mechanical construction

Junction Zircon
Shaft material Glass
Mechanical Construction 80 mm, 120 mm
Electrode material gold ring, 2 gold rings
Reference system Ag/AgCl/Tepox gel
Process connection S8 plug (swivel PG 13.5), M12 plug (swivel PG 13.5)

Mechanical Drawing



Versions

Type/Configuration	Descripton	Article number
231612500	DIS sensor: 2 gold rings, zircon junctions, Tepox gel, M12 plug (swivel PG 13.5), 120 mm	S24135140K
231512110	DIS sensor: gold ring, zircon junction, Tepox gel, S8 plug (swivel PG 13.5), 80 mm	S24135130K