

Single channel water monitoring system

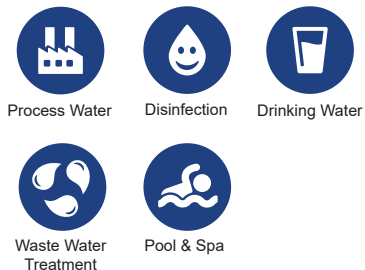
Controlled and reliable measurements are driven by Kuntze Krypton® systems. The measuring system includes all customer needs for disinfectant measurement: instrument, software, sensors, assembly and cables.

The Kuntze Krypton® DIS is used to measure Free Chlorine, Chlorine Dioxide, Ozone or Hydrogen Peroxide and temperature. Measuring range can be chosen via the instruments menu. Kuntze Krypton® DIS is delivered fully assembled and ready to use.

The water measurement process can be controlled at any time, from any place, on any device via Kuntze's Cloud Connect® service. All Kuntze products are Made in Germany.



Applications



Technical data

Measuring range

Free Chlorine, Chlorine Dioxid	up to 1000 µg/l, 5.00 mg/l / 10.00 mg/l / 20.00 mg/l
Ozone	up to 1000 µg/l, 5.00 mg/l / 10.00 mg/l
Hydrogen Peroxide	up to 30.0 mg/l

Input characteristic

Temperature measuring range	-30.0°.. +140.0 °C (-22.0°.. 284°F)
Temperature compensation	0.0 .. 8.0 %/K adjustable coefficient
Digital input	1 as controller stop by external contact, option: 2nd as controller stop or flow measurement for volume based dosing.
Measurement conditions	pressure depending on assembly

Output characteristics

Alarm relay	1 potential-free N/O contact, max. 250 V, 6 A, 550 VA (invertable)
Output signal	optional: 2 x 0/4 .. 20 mA (scaleable, galvanically isolated)
	Load max. 500 Ohm
	Registration range scaleable within the measuring range
Storage media	SD card up to 1 GB - Industry standard
Serial interface	Option: RS 485 Modbus RTU
	Baud rate 19200 bps
	Data format 8 bit

Power supply

Line voltage 85.. 265 V AC, +6/-10%, 50.. 60Hz; option: 24 V DC
 Power consumption 10 V

Process conditions

Temperature	Storage	-20°.. +65°C (-4°..+149°F) exception sensor: 0..+30°C (32°..86°F)
pH range	Operation	0 .. +50°C (32°.. 122°F)
	Free Chlorine	pH 6...8 constant
	Chlorine Dioxide, Ozon	
Humidity	Hydrogen Peroxid	pH 6...9
	max. 90% rH at 40°C (non-condensing)	
Protection class	Wall mounted	IP 65
	Panel mounted	IP 54 (front), IP 30 (housing)

Controller

Control response	Option: on/off controller (adjustable hysteresis) P/PI/ PID controller (pulse-pause, pulse-frequency or continuous output) 3-point controller
Relay	2 relays, each with a potential-free N/O contact, max. 250V, 6A, 550 VA
Start delay	0.. 200 sec until controller active
Controller stop	Digital input

Proportion to volum

Control mode	Option: volumed based by flow measurement
Flow measurement	Impuls measurement NPN (by digital input 2)
Flow measurement	Engine speed 0.030.. 9.999 l/Imp
Relay 1	Potential-free N/O contact, max. 250V, 6 A, 550 VA (pulse-pause, pulse-frequency)
Relay 2	Activating circulation pum

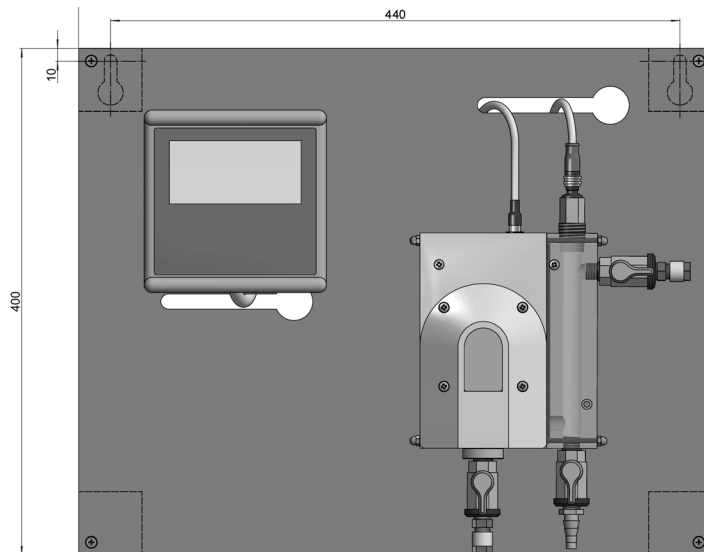
Certificates and approval

CE-Symbol	The product meets the requirements of the harmonized European standards and complies with the legal requirements of the EC directives.
EMC	EN 61000 6-1 (3) EN 61000 6-2 (4) EN 61326

Design configuration

Material	Board	PVC
	Assembly	PVC
	Instrument	ABS
	Sensor	Glass, plastic / gold / platin / Hastelloy
Dimensions	400 x 500 mm	
Connection	cable inlet:	6x M16, 10x M12 + optional: 1x M25
	plug-in terminal:	rigid/ flexible 0.14 - 1.5 mm ²
	relays / power supply	rigid/ flexible 0.2-1 / 0.2-1.5 mm ²
	distribution block	0.5-1.5/ 0.5-1.5 mm ²
	water hose connection	DN 6/8

Mechanical drawing



Interface diagram

