

## Single channel water monitoring instrument

Neon® is a leading edge measuring and control instrument. Its range of functions can be tailored according to customers' applications.

The entry level version contains inputs for measurements and temperature, one digital input and an alarm relay. Various add-ons are available to expand the functionality as well as wall mounted or panel mounted housing. Neon's® water measurement process can be controlled at any time, from any place, on any device via Kuntze's Cloud Connect® service. All Kuntze products are Made in Germany.



## Applications



## Technical data

### Measuring parameter

pH-value	-2.00.. +16.00 pH
ORP	-1500.. +1500 mV

### Input characteristics

Temperature measuring range	-30.0 .. +140.0 °C
Temperature coefficient	Non-linear
Digital input	1 as controller stop by external contact option: 2nd as controller stop or flow measurement for volume based dosing

### Output characteristics

Alarm relay	1 potential-free NO contact, max. 250 V, 6 A, 550 VA (invertable)
Output signal	Option: 2 x 0/4 .. 20 mA (scaleable, galvanically isolated)
	Load 500 Ohm
	Registration range Scaleable within the measuring range
Voltage output	+/- 6 VDC for impedance converter
Storage media	Accessory: SD card up to 1 GB - Industry standard
Serial interface	Option: RS 485 - modbus RTU
	Baud rate 19200 bps
	Data format 8 bit

### Power supply

Line voltage	85.. 265 V AC, +6/-10%, 50.. 60Hz option: 24 V DC
Power consumption	10 VA

**Ambient conditions**

Temperature	Storage	-20.. +65°C
	Operation	-5.. +50°C
Humidity	max. 90% rH at 40°C (non-condensing)	
Protection class	Wall mounted	IP 65
	Panel mounted	IP 54 (front), IP 30 (housing)

**Controller**

Control response	Option: on/off controller (adjustable hysteresis) P/PI/ PID controller (pulse-pause, pulse-frequency or continuous output) servo motor control
Relay	2 relays, each with a potential-free NO contact, max. 250V, 6 A, 550 VA
Start delay	0.. 200 sec until controller active
Controller stop	Digital input

**Proportion to volume**

Control mode	Option: volume based by flow measurement
Flow measurement	Impulse measurement NPN (by digital input 2)
Flow measurement	Engine speed 0.030.. 9.999 l/Imp
Relay 1	Potential-free NO contact, max. 250V, 6 A, 550 VA output of control variable as pulse frequency or pulse pause.
Relay 2	Activating circulation pump

**Certificates and approvals**

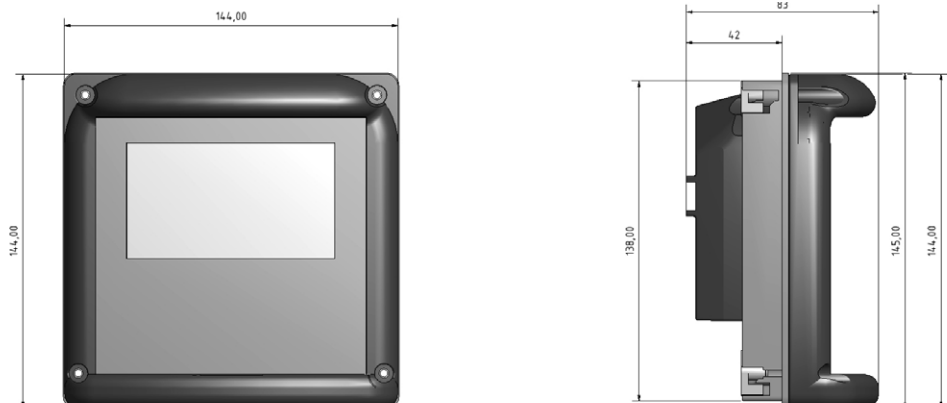
CE-Symbol	The product meets the requirements of the harmonized European standards and complies with the legal requirements of the EC directives.
EMV/EMC	EN 61000 6-1 (3) EN 61000 6-2 (4) EN 61326-1

**Design configuration**

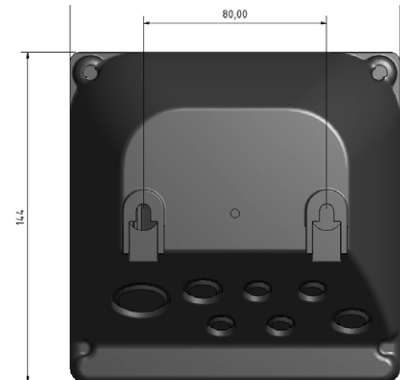
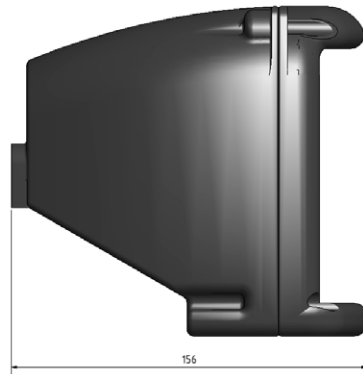
Material	ABS
Dimensions	Panel mounted housing: 138 x 138 x 83 mm Wall mounted housing: 144 x 144 x 156 mm
Mounting dimension	Panel mounted housing: 138 x 138 x 42 mm
Weight	0.6 kg (wall mounted housing: 1 kg)
Connection	Cable inlet: 2x M16, 2x M12 + optional: 2x M12 and 1x M25 plug-in terminal: rigid /flexible 0.2-2.5 mm <sup>2</sup> / 0.2-2.5 mm <sup>2</sup> measurement rigid /flexible 0.2-1 mm <sup>2</sup> / 0.2-1.5 mm

**Mechanical drawing**

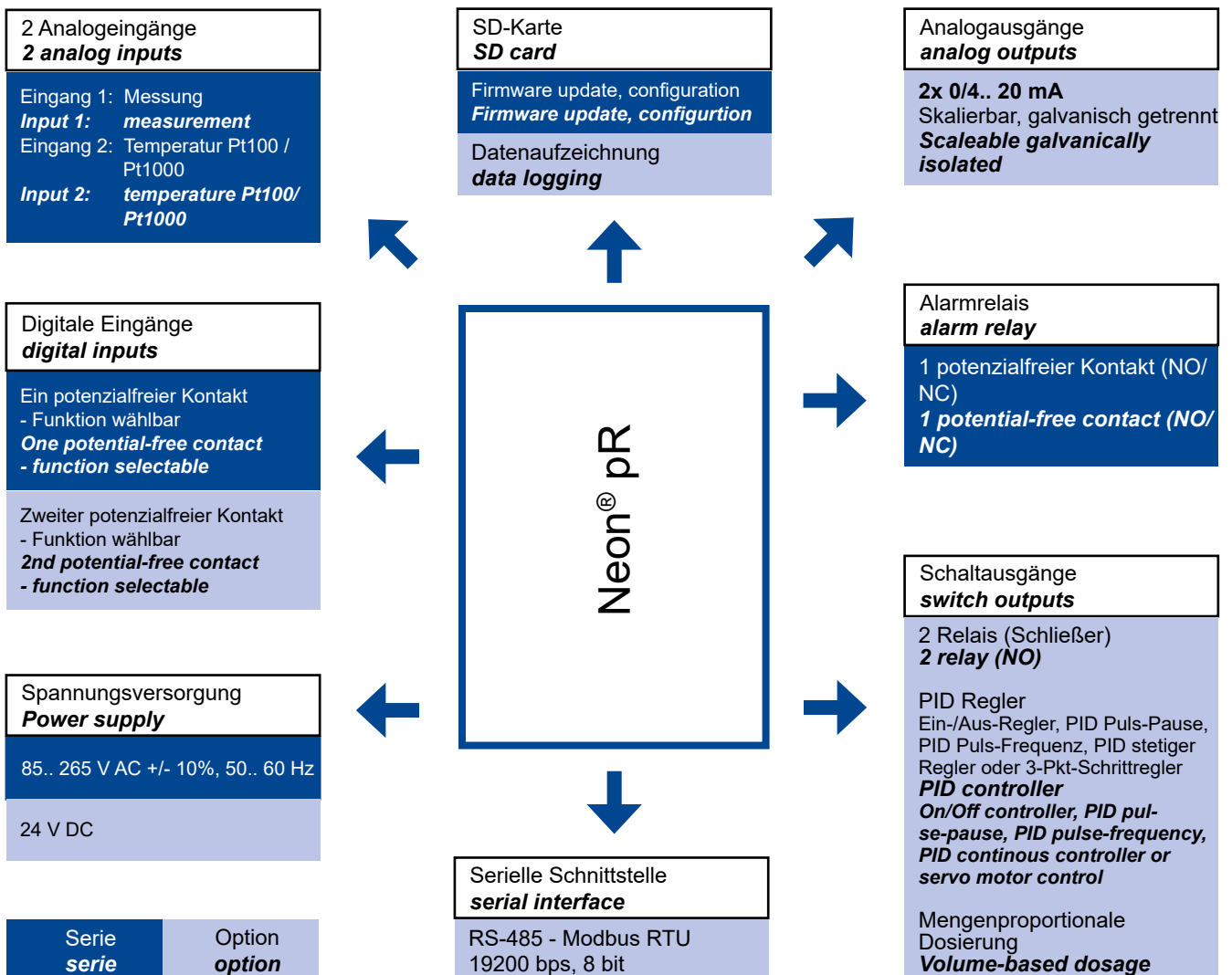
Neon® panel mounted



Neon® wall mounted



## Interface diagram



## Single channel water monitoring instrument

Neon® is a leading edge measuring and control instrument. Its range of functions can be tailored according to customers' applications.

The entry level version contains inputs for measurements and temperature, one digital input and an alarm relay. Various add-ons are available to expand the functionality as well as wall mounted or panel mounted housing.

Neon's® water measurement process can be controlled at any time, from any place, on any device via Kuntze's Cloud Connect® service. All Kuntze products are Made in Germany.



### Applications



## Technical data

### Measuring range

Free Chlorine	up to 1000 µg/l, 5.00 mg/l / 10.00 mg/l / 20.00 mg/l
Chlorine Dioxid	up to 1000 µg/l, 5.00 mg/l / 10.00 mg/l / 20.00 mg/l
Ozone	up to 1000 µg/l, 5.00 mg/l / 10.00 mg/l
Hydrogen Peroxide	up to 30.0 mg/l

### Input characteristic

Temperature measuring range	-30.0°.. +140.0 °C (-22.0°.. 284°F)
Temperature compensation	0.0 .. 8.0 %/K adjustable coefficient
Digital input	1 as controller stop by external contact, option: 2nd as controller stop or flow measurement for volume based dosing.
Measurement conditions	pressure depending on assembly

### Output characteristics

Alarm relay	1 potential-free N/O contact, max. 250 V, 6 A, 550 VA (invertable)
Output signal	optional: 2 x 0/4 .. 20 mA (scaleable, galvanically isolated)
	Load max. 500 Ohm
	Registration range scaleable within the measuring range
Storage media	SD card up to 1 GB - Industry standard
Serial interface	Option: RS 485 Modbus RTU
	Baud rate 19200 bps
	Data format 8 bit

**Power supply**

Line voltage 85.. 265 V AC, +6/-10%, 50.. 60Hz; option: 24 V DC  
 Power consumption 10 V

**Process conditions**

Temperature Storage -20°.. +65°C (-4°..+149°F)  
 Operation 0 .. +50°C (32°.. 122°F)  
 Humidity max. 90% rH at 40°C (non-condensing)  
 Protection class Wall mounted IP 65  
 Panel mounted IP 54 (front), IP 30 (housing)

**Controller**

Control response Option: on/off controller (adjustable hysteresis)  
 P/PI/ PID controller (pulse-pause, pulse-frequency or continuous output)  
 servo motor control  
 Relay 2 relays, each with a potential-free N/O contact, max. 250V, 6A, 550 VA  
 Start delay 0.. 200 sec until controller active  
 Controller stop Digital input

**Proportion to volum**

Control mode Option: volumed based by flow measurement  
 Flow measurement Impuls measurement NPN (by digital input 2)  
 Flow measurement Engine speed 0.030.. 9.999 l/Imp  
 Relay 1 Potential-free N/O contact, max. 250V, 6 A, 550 VA  
 (pulse-pause, pulse-frequency)  
 Relay 2 Activating circulation pum

**Certificates and approval**

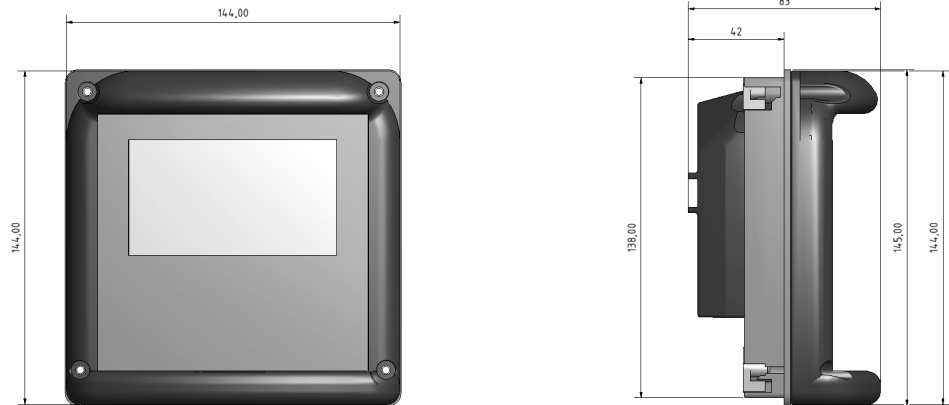
CE-Symbol The product meets the requirements of the harmonized European standards and complies with the legal requirements of the EC directives.  
 EMC EN 61000 6-1 (3) EN 61000 6-2 (4) EN 61326

**Design configuration**

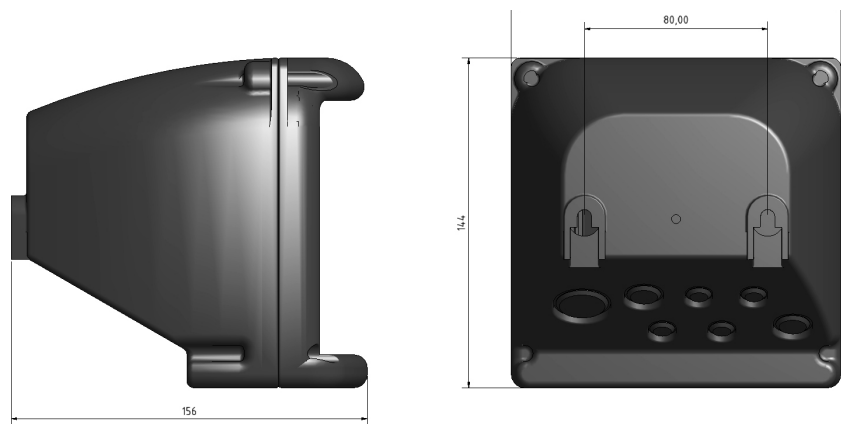
Material ABS  
 Dimensions Panel mounted housing: 138 x 138 x 83 mm (max. wall thickness: 5mm)  
 Wall mounted housing: 144 x 144 x 156 mm  
 Mounting dimension Panel mounted housing: 138 x 138 x 42 mm  
 Weight 0.6 kg (wall mounted housing: 1 kg)  
 Connection Cable inlet: 2x M16, 2x M12 + optional: 2x M12 and 1xM25  
 plug-in terminal: rigid /flexible 0.2-2.5 mm<sup>2</sup> / 0.2-2.5 mm<sup>2</sup>  
 measurement: rigid /flexible 0.2-1 mm<sup>2</sup> / 0.2-1.5 mm<sup>2</sup>

**Mechanical drawing**

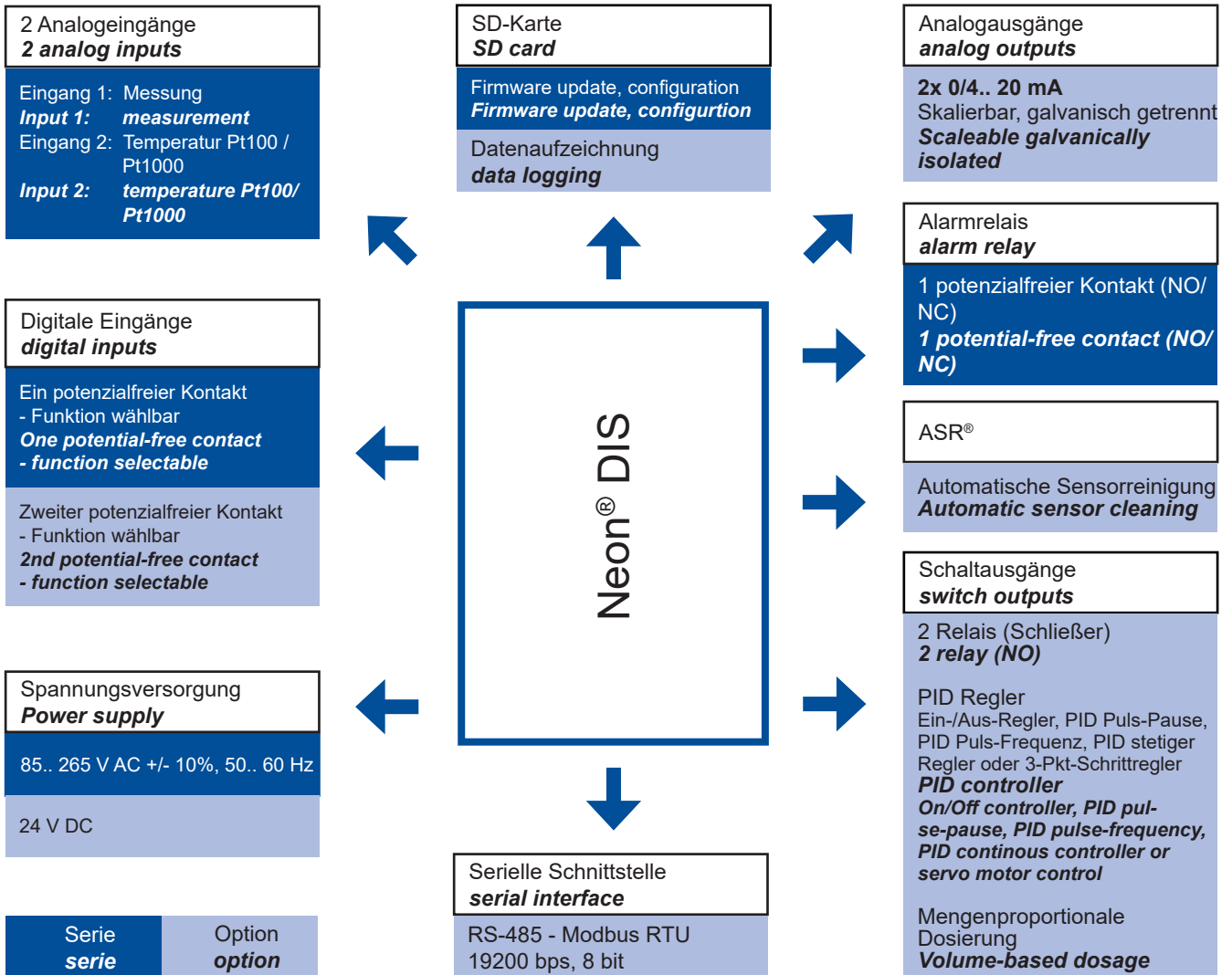
Neon® panel mounted



Neon® wall mounted



### Interface diagram



## Single channel water monitoring instrument

Neon® is a leading edge measuring and control instrument. Its range of functions can be tailored according to customers' applications. Neon® demonstrates high versatility in different applications such as drinking water, disinfection, process water, cooling water or industrial waste water.

The entry level version contains inputs for measurements and temperature, one digital input and an alarm relay. Various add-ons are available to expand the functionality as well as wall mounted or panel mounted housing. Neon's® water measurement process can be controlled at any time, from any place, on any device via Kuntze's Cloud Connect® service.

All Kuntze products are Made in Germany.



## Applications



## Technical data

### Measuring parameter

Conductivity (inductive)	0.. 2.000 mS/cm 0.. 20.00 mS/cm 0.. 200.0 mS/cm 0.. 2000 mS/cm
Conductivity (conductive)	0.. 2.000 µS/cm C=0,05 /cm 0.. 20.00 µS/cm C=0,05 /cm 0.. 200.0 µS/cm C=0,05 /cm 0.. 2.000 mS/cm C=0,20 /cm 0.. 20.00 mS/cm C=1,00 /cm

### Input characteristic

Temperature measuring range	-30.0 .. +140.0 °C
Temperature coefficient	0.0 .. 8.0 % / K adjustable or non-linear
Digital input	1 as controller stop by external contact, option: 2nd as controller stop or flow measurement for volume based dosing.

### Output characteristics

Alarm relay	1 potential-free NO contact, max. 250 V, 6 A, 550 VA (invertable)
Output signal	Option: 2 x 0/4 .. 20 mA (scaleable, galvanically isolated) Load 500 Ohm Registration range Scaleable within the measuring range
Storage media	Accessory: SD card up to 1 GB - Industry standard
Serial interface	Option: RS 485 Modbus RTU Baud rate 19200 bps Data format 8 bit



**Power supply**

Line voltage 85.. 265 V AC, +6/-10%, 50.. 60Hz; option: 24 V DC  
 Power consumption 10 V

**Ambient conditions**

Temperature Storage -20 .. +65°C  
 Operation 0 .. +50°C  
 Humidity max. 90% rH at 40°C (non-condensing)  
 Protection class Wall mounted IP 65  
 Panel mounted IP 54 (front), IP 30 (housing)

**Controller**

Control response Option: on/off controller (adjustable hysteresis) P/PI/ PID controller (pulse-pause, pulse-frequency or continuous output) servo motor control  
 Relay 2 relays, each with a potential-free N/O contact, max. 250V, 6 A, 550 VA  
 Start delay 0.. 200 sec until controller active  
 Controller stop Digital input

**Proportion to volum**

Control mode Option: volumed based by flow measurement  
 Flow measurement Impuls measurement NPN (by digital input 2)  
 Flow measurement Engine speed 0.030.. 9.999 l/Imp  
 Relay 1 Potential-free N/O contact, max. 250V, 6 A, 550 VA output of control variable as pulse frequency or pulse pause.  
 Relay 2 Activating circulation pump

**Certificates and approval**

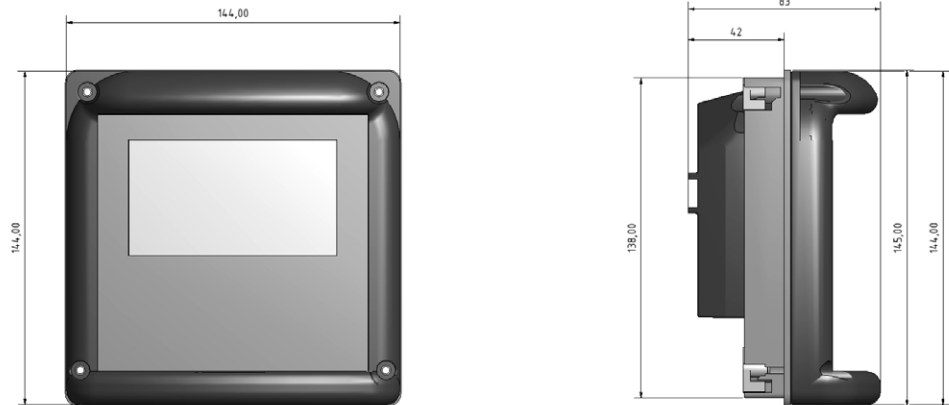
CE-Symbol The product meets the requirements of the harmonized European standards and complies with the legal requirements of the EC directives.  
 EMV/EMC EN 61000 6-1 (3) EN 61000 6-2 (4) EN 61326-1

**Design configuration**

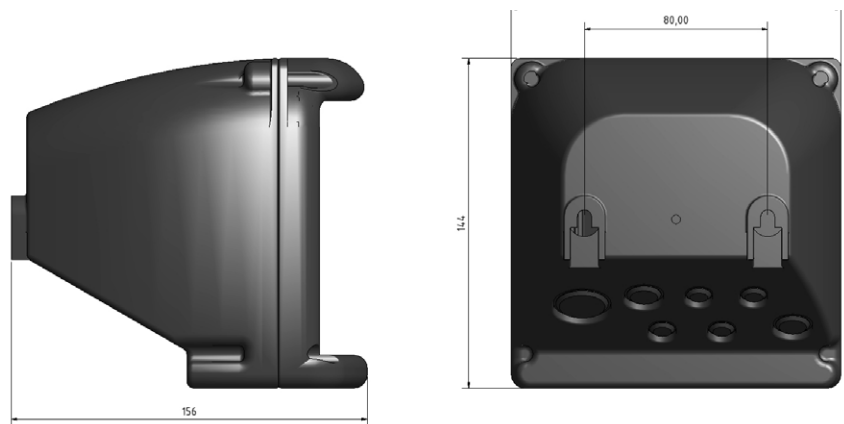
Material ABS  
 Dimensions Panel mounted housing: 138 x 138 x 83 mm  
 Wall mounted housing: 144 x 144 x 156 mm  
 Mounting dimension Panel mounted housing: 138 x 138 x 42 mm  
 Weight 0.6 kg (wall mounted housing: 1 kg)  
 Connection Cable inlet: 2x M16, 2x M12 + optional: 2x M12 and 1x M25 plug-in terminal:  
 rigid /flexible 0.2-2.5 mm<sup>2</sup> / 0.2-2.5 mm<sup>2</sup> measurement rigid /flexible  
 0.2-1 mm<sup>2</sup> / 0.2-1.5 mm

**Mechanical drawing**

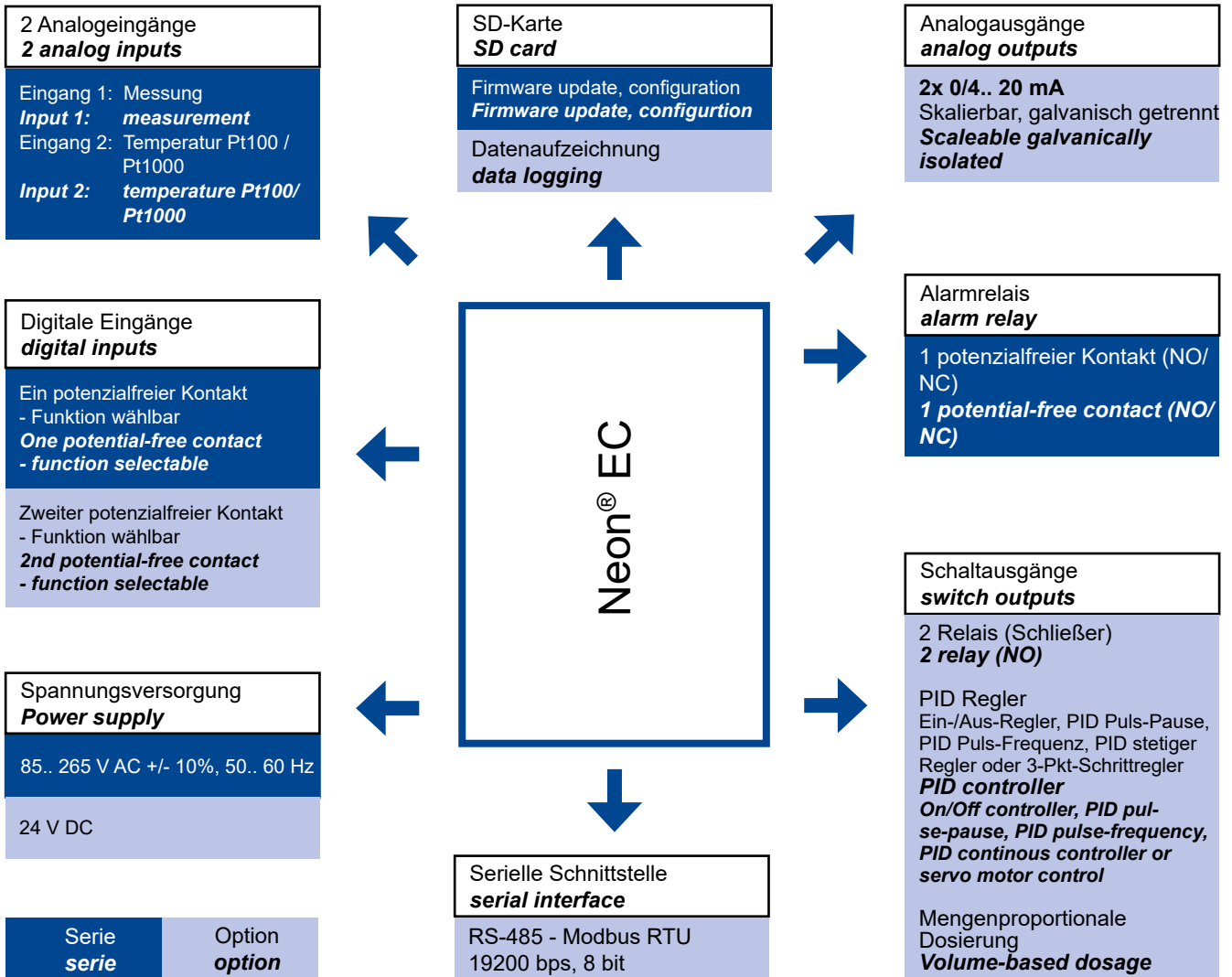
Neon® panel mounted



Neon® wall mounted



### Interface diagram



## Single channel water monitoring instrument

Neon® is a leading edge measuring and control instrument. Its range of functions can be tailored according to customers' applications. Neon® demonstrates high versatility in different applications such as drinking water, disinfection, process water, cooling water or industrial waste water.

The entry level version contains inputs for measurements and temperature, one digital input and an alarm relay. Various add-ons are available to expand the functionality as well as wall mounted or panel mounted housing. Neon's® water measurement process can be controlled at any time, from any place, on any device via Kuntze's Cloud Connect® service.



## Applications



Pool & Spa



TLV Monitoring



Warehouse  
Exhaust Air

## Technical data

### Measuring parameter

Chlorine Gas	0.00.. 10.00 ppm
Chlorine Dioxide Gas	0.00.. 1.00 ppm
Ozone Gas	0.00.. 1.00 ppm

### Output characteristics

Alarm relay	1 potential-free N/O contact, max. 250 V, 6 A, 550 VA (invertable)
Output signal	optional: 2 x 0/4 .. 20 mA (scaleable, galvanically isolated)
	Load 500 Ohm
	Registration range Scaleable within the measuring range
Storage media	Accessory: SD card up to 2 MB - Industry standard
Serial interface	Option: RS 485 Modbus RTU
	Baud rate 19200 bps
	Data format 8 bit

### Power supply

Line voltage	85.. 265 V AC, +6/-10%, 50.. 60Hz; option: 24 V DC
Power consumption	10 W

### Ambient conditions

Temperature	Storage	-20 .. +65°C
	Operation	0 .. +50°C
Humidity	max. 90% rH at 40°C (non-condensing)	
Protection class	Wall mounted	IP 65
	Panel mounted	IP 54 (front), IP 30 (housing)

**Certificates and approval**

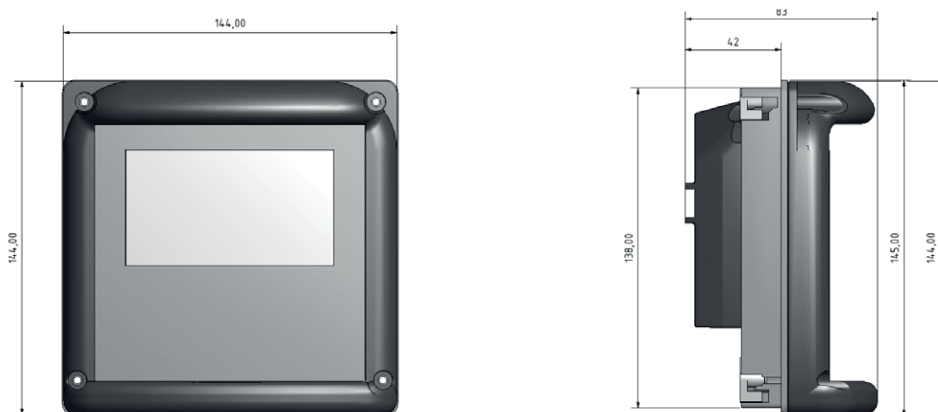
CE-Symbol The product meets the requirements of the harmonized European standards and complies with the legal requirements of the EC directives.  
 EMV/EMC EN 61000 6-1 (3) EN 61000 6-2 (4) EN 61326-1

**Design configuration**

Material ABS  
 Dimensions Panel mounted housing: 138 x 138 x 83 mm  
 Wall mounted housing: 144 x 144 x 156 mm  
 Mounting dimension Panel mounted housing: 138 x 138 x 42 mm  
 Weight 0.6 kg (wall mounted housing: 1 kg)  
 Connection Cable inlet: 2x M16, 2x M12 + optional: 2x M12 and 1x M25 plug-in terminal:  
 rigid /flexible 0.2-2.5 mm<sup>2</sup> / 0.2-2.5 mm<sup>2</sup> measurement rigid /flexible  
 0.2-1 mm<sup>2</sup> / 0.2-1.5 mm

**Mechanical drawing**

Neon® panel mounted



Neon® wall mounted

